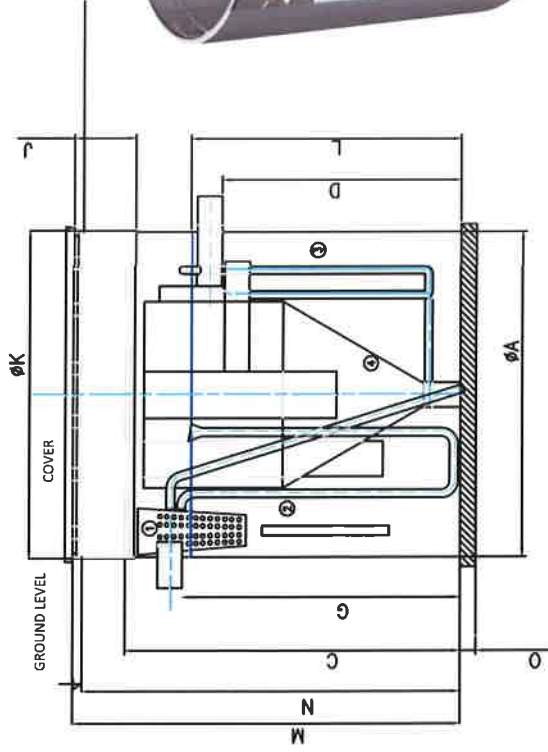
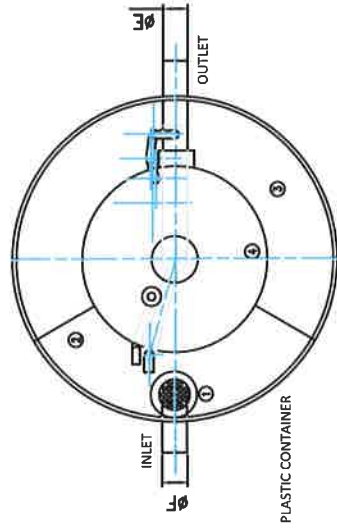


Drawing of waste water treatment plant BioCleaner® BC 4-12 PP



- 1 - SCREEN BASKET
- 2 - DENITRIFICATION ZONE
- 3 - NITRIFICATION ZONE
- 4 - SEDIMENTATION ZONE

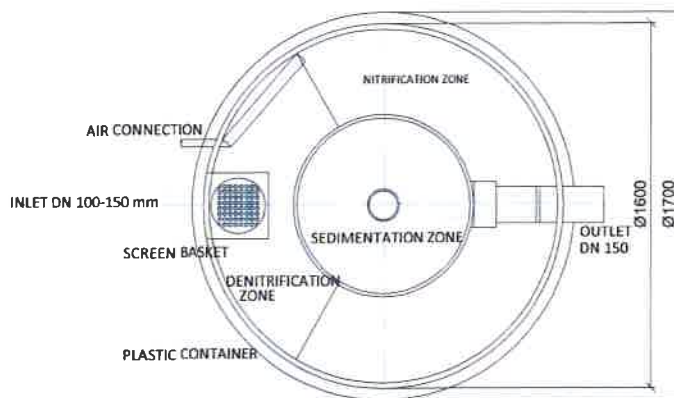
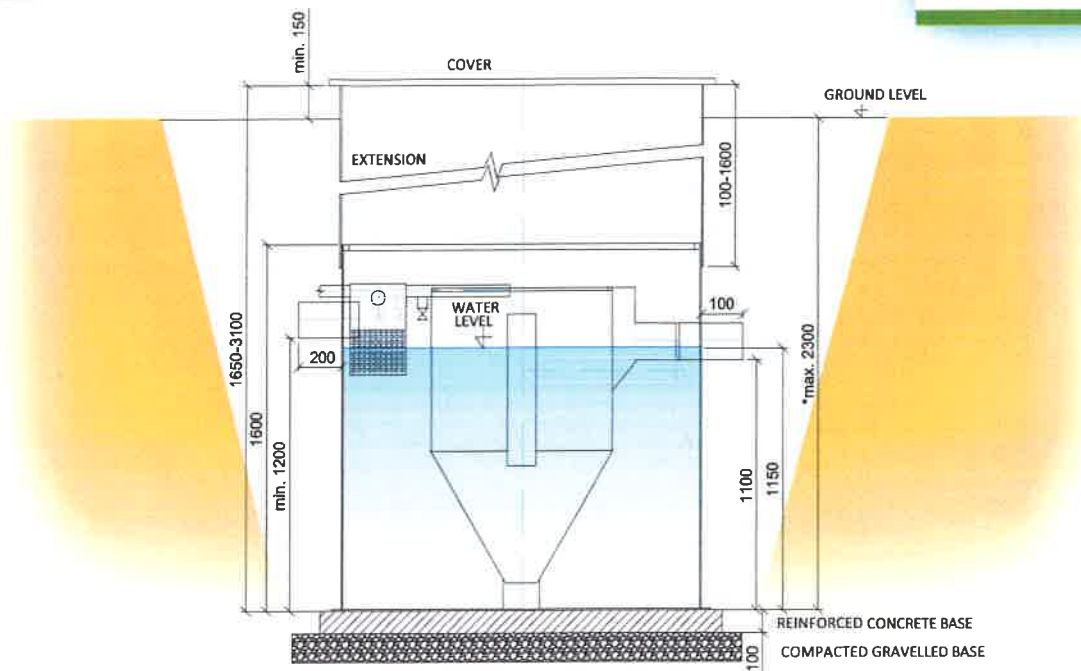


PLASTIC CONTAINER

DIMENSIONS	UNITS	BC 4 PP	BC 6 PP	BC 10 PP	BC 12 PP	DESCRIPTION
A	mm	1400	1600	1700	1900	TANK DIAMETER
C	mm	1600	2050	2500	2500	TANK HEIGHT
D	mm	1100	1100	1730	1700	BOTTOM OF OUTLET PIPE
E	mm	160	160	160	160	OUTLET PIPE DIAMETER
F	mm	min. 110 max. 160	min. 110 max. 160	min. 110 max. 160	min. 110 max. 160	INLET PIPE DIAMETER
G	mm	min. 1200	min. 1200	min. 1830	min. 1800	BOTTOM OF INLET PIPE
J	mm	100-1600	100-1600	100-1600	100-1600	HEIGHT EXTENSIONS
K	mm	1430	1620	1740	1936	DIAMETER EXTENSIONS
L	mm	1150	1150	1780	1750	WATER LEVEL
M	mm	2500	2500	2500	2500	OVERALL HEIGHT WWTP
N	mm	2300	2300	2250	2250	BASE LEVEL
O	mm	100	100	100	100	THICKNESS OF CONCRETE BASE

DESCRIPTION	UNITS	BC 4 PP	BC 6 PP	BC 10 PP	BC 12 PP
VOLUME OF DENITRIFICATION ZONE	m³	0.45	0.50	0.90	1.21
VOLUME OF NITRIFICATION ZONE	m³	0.91	1.18	2.10	2.52
VOLUME OF SEDIMENTATION ZONE	m³	0.41	0.63	1.04	1.22
TOTAL VOLUME	m³	1.77	2.31	4.04	4.95
AREA OF SEDIMENTATION ZONE	m²	0.43	0.66	0.72	0.82
MAXIMUM WEIGHT	kg	150	165	180	200
INSTALLED POWER	W	40	50	95	115
VOLTAGE	V	230	230	230	230
PROTECTION OF SUPPLY CABLE	A	4	4	4	4
SUPPLY CABLE	-	CYKYJ 3 x 2,5	CYKYJ 3 x 2,5	CYKYJ 3 x 1,5	CYKYJ 3 x 2,5

Drawing of waste water treatment plant BioCleaner® BC 6 PP



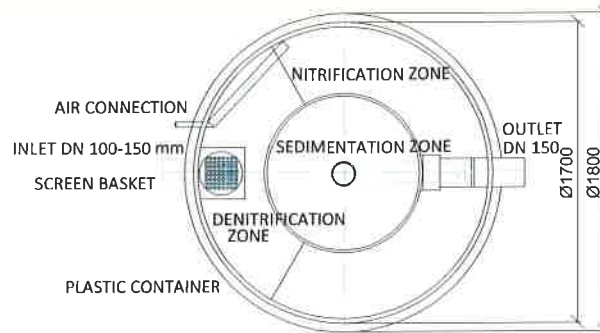
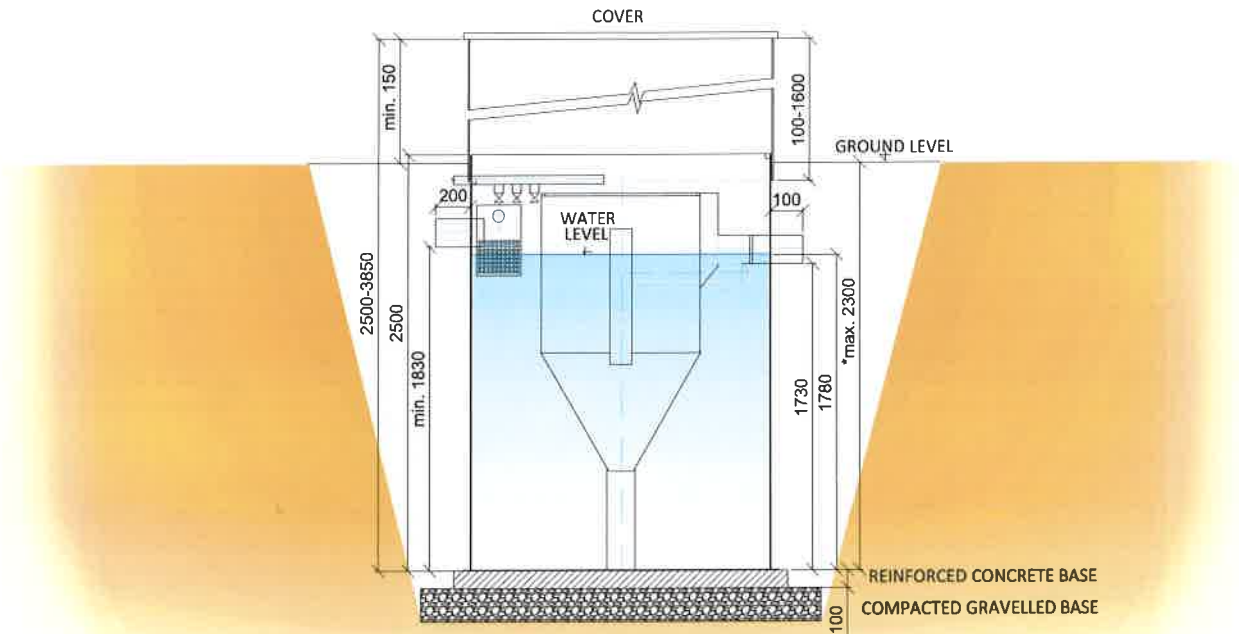
note: Drawing of WWTP for backfill or concreting. Assembly make according to the instruction for installation.
 *In case the WWTP has to be installed deeper than maximal allowed dimension (see the drawing) or the soil load around the WWTP or underground water level is higher then we strongly recommend statically secure the WWTP tank (e.g. concreting, ..)

Volume of denitrification zone	0.50 m ³	Maximum weight	165 kg
Volume of nitrification zone	1.18 m ³	Installed power	50 W
Volume of sedimentation zone	0.63 m ³	Voltage	230 V
Total volume	2.31 m ³	Protection of supply cable	4 A
Water level	1.15 m	Supply cabel	CYKY-J 3x2.5



Since od 1.4.2017

Drawing of waste water treatment plant BioCleaner® BC 10 PP



note: Drawing of WWTP for backfill or concreting. Assembly make according to the instruction for installation.

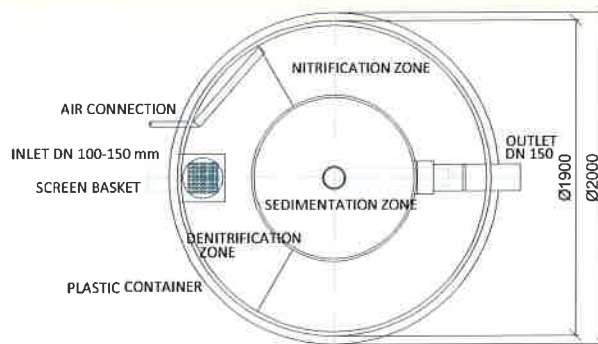
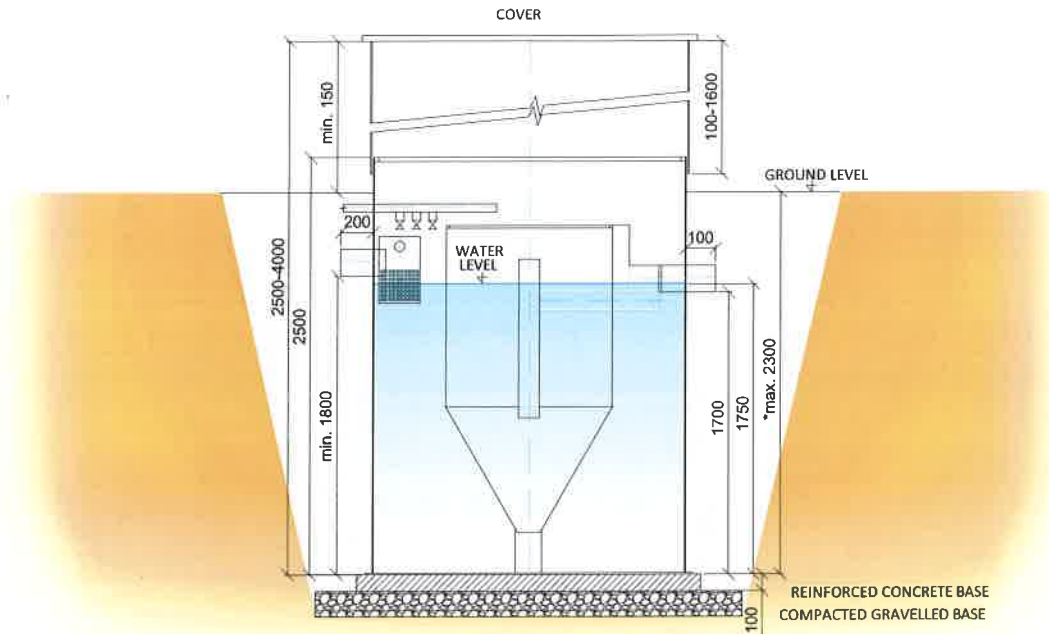
*In case the WWTP has to be installed deeper than maximal allowed dimension (see the drawing) or the soil load around the WWTP or underground water level is higher then we strongly recommend statically secure the WWTP tank (e.g. concreting, ..)

Volume of denitrification zone	0.90 m ³	Maximum weight	180 kg
Volume of nitrification zone	2.10 m ³	Installed power	95 W
Volume of sedimentation zone	1.04 m ³	Voltage	230 V
Total volume	4.04 m ³	Protection of supply cable	4 A
Water level	1.78 m	Supply cabel	CYKY-J 3x2.5



since 1.4.2017

Drawing of waste water treatment plant BioCleaner® BC 12 PP



note: Drawing of WWTP for backfill or concreting. Assembly make according to the instruction for installation.

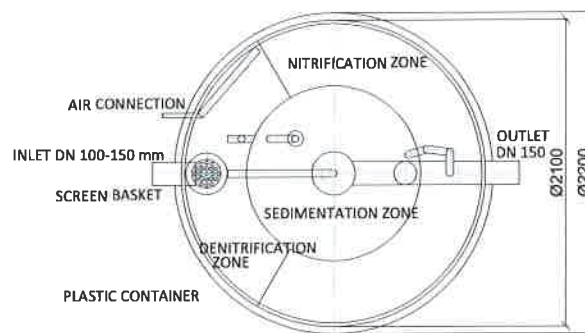
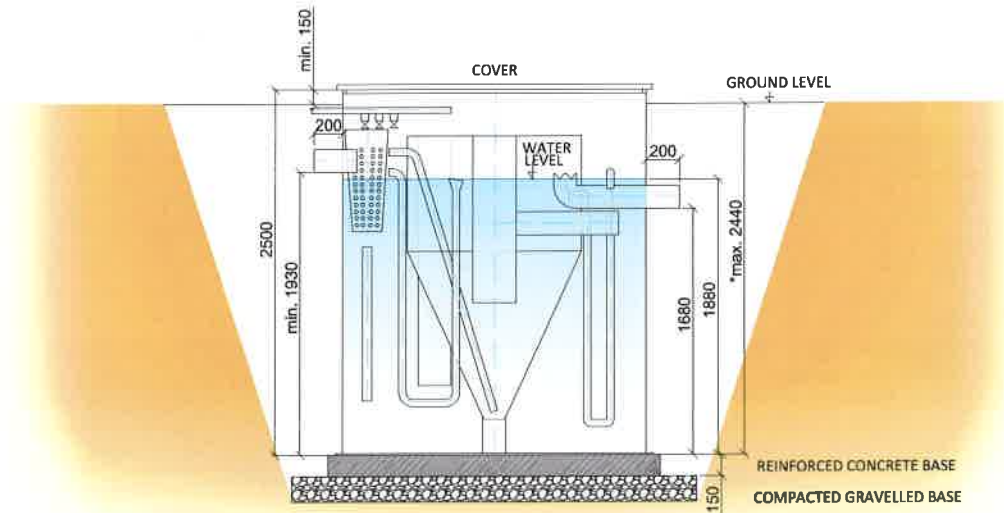
*In case the WWTP has to be installed deeper than maximal allowed dimension (see the drawing) or the soil load around the WWTP or underground water level is higher then we strongly recommend statically secure the WWTP tank (e.g. concreting, ..)

Volume of denitrification zone	1.21 m ³	Maximum weight	200 kg
Volume of nitrification zone	2.52 m ³	Installed power	115 W
Volume of sedimentation zone	1.22 m ³	Voltage	230 V
Total volume	4.95 m ³	Protection of supply cable	4 A
Water level	1.75 m	Supply cabel	CYKY-J 3x2.5



since 1.4.2017

Drawing of waste water treatment plant BioCleaner® BC 16 PP



note: Drawing of WWTP for backfill or concreting. Assembly make according to the instruction for installation.

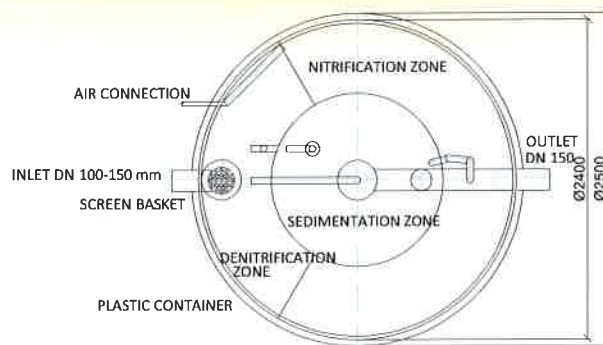
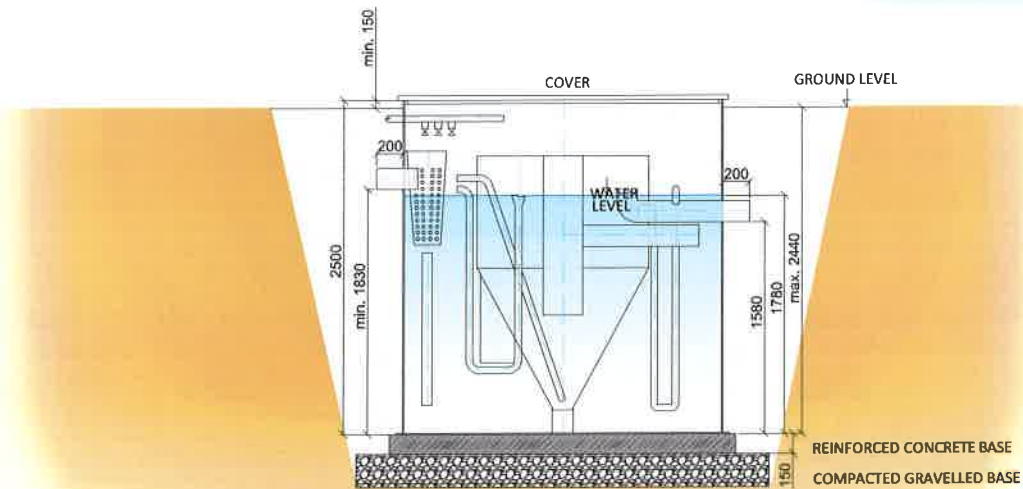
*In case the WWTP has to be installed deeper than maximal allowed dimension (see the drawing) or the soil load around the WWTP or underground water level is higher then we strongly recommend statically secure the WWTP tank (e.g. concreting, ..)

Volume of denitrification zone	1.46 m ³	Maximum weight	310 kg
Volume of nitrification zone	3.42 m ³	Installed power	180 W
Volume of sedimentation zone	1.62 m ³	Voltage	230 V
Total volume	6.50 m ³	Protection of supply cable	4 A
Water level	1.88 m	Supply cabel	CYKY-J 3x2.5



Since 1.4.2017

Drawing of waste water treatment plant BioCleaner® BC 20 PP



note: Drawing of WWTP for backfill or concreting. Assembly make according to the instruction for installation.

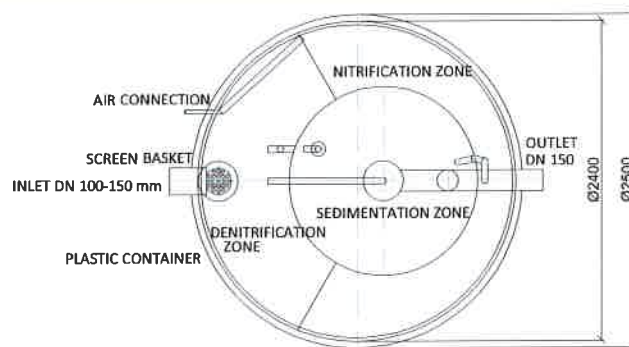
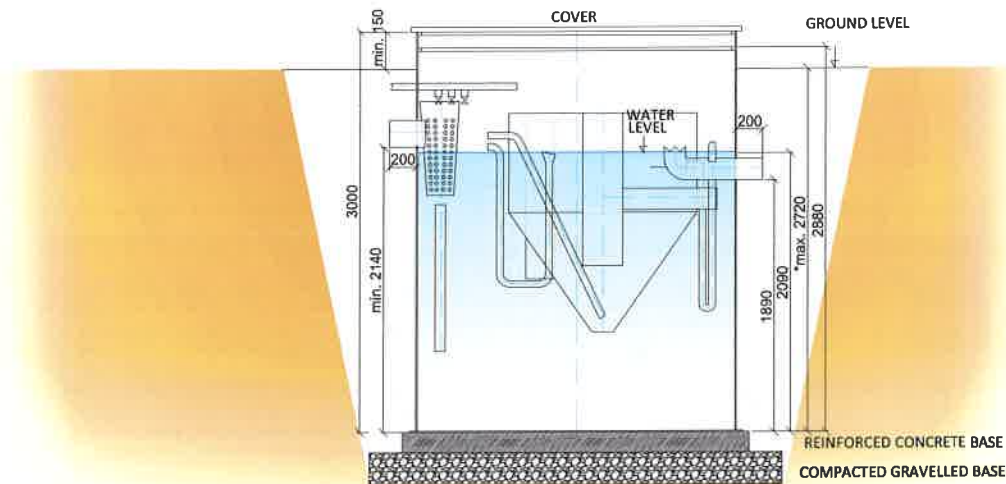
*In case the WWTP has to be installed deeper than maximal allowed dimension (see the drawing) or the soil load around the WWTP or underground water level is higher then we strongly recommend statically secure the WWTP tank (e.g. concreting, ..)

Volume of denitrification zone	1.80 m ³	Maximum weight	370 kg
Volume of nitrification zone	4.20 m ³	Installed power	225 W
Volume of sedimentation zone	2.03 m ³	Voltage	230 V
Total volume	8.03 m ³	Protection of supply cable	4 A
Water level	1.78 m	Supply cabel	CYKY-J 3x2.5



Since 1.4.2017

Drawing of waste water treatment plant BioCleaner® BC 25 PP



note: Drawing of WWTP for backfill or concreting. Assembly make according to the instruction for installation.
 *In case the WWTP has to be installed deeper than maximal allowed dimension (see the drawing) or the soil load around the WWTP or underground water level is higher then we strongly recommend statically secure the WWTP tank (e.g. concreting, ..)

Volume of denitrification zone	2.05 m ³	Maximum weight	470 kg
Volume of nitrification zone	4.90 m ³	Installed power	230 W
Volume of sedimentation zone	2.52 m ³	Voltage	230 V
Total volume	9.47 m ³	Protection of supply cable	6 A
Water level	2.09 m	Supply cabel	CYKY-J 3x2.5



Since 1-4-2017

